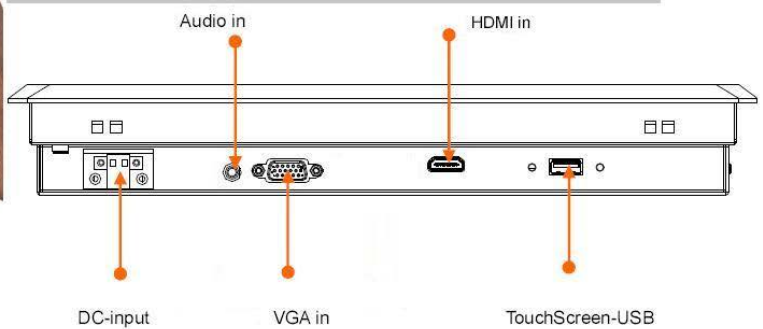
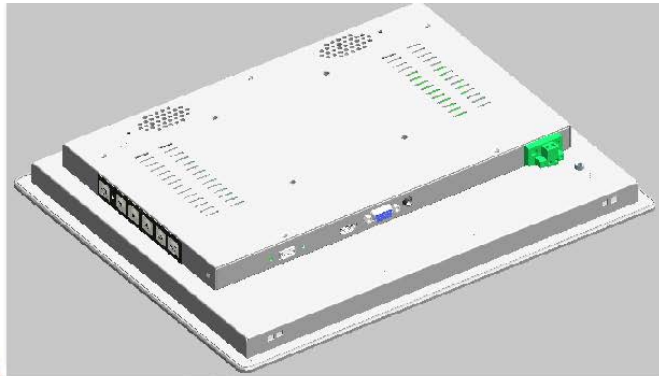


Model: FPM-12-PCT
12.1" Slim Line - Industrial Panel Monitor, with PCT Touch



Main Feature

- LED Panel - Higher Brightness; Longer Life Span; Better Viewing Angle; Less Power Consumption ...
- 12.1" SVGA LED panel support 800x600 pixels
- Front 8mm Aluminum bezel with NEMA4 / IP 65 compliance
- Front flat glass (6H Hardness) with projected capacitive Multi Touch Screen
- Supports 10 points multi-touch via USB interface in Windows 7/8.1/10...
- Slim design for Panel mount / Wall mount easy installation
- Input signal : VGA + HDMI + Audio + USB
- AC 100-240V wide range external AC adapter (Optional for Wide Range 9-36VDC input)
- Meet standard VESA hole (100X100mm), support desktop stand/wall mount /swing arm mounting

Application:

Kiosk; Digital Signage; Factory Automation; Processor Automation; Marine / Offshore Industrial ...

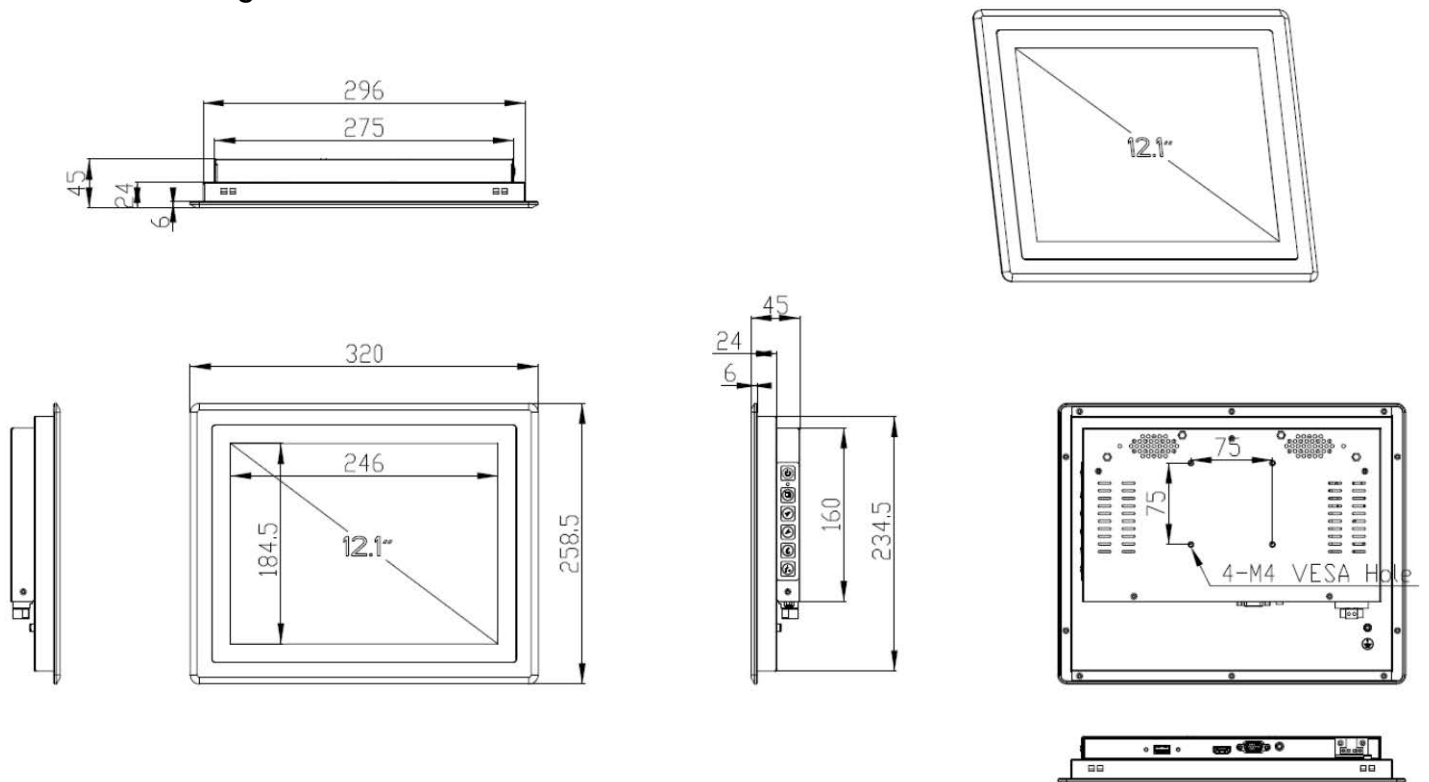
Specification	
Product Model	FPM-12-PCT
LCD Panel	Display Type : 12.1" SVGA <u>LED Panel</u> Resolution : 800 x 600 Max. color : 16.2M Luminance : 400 cd/m2 View Angel : 140° (H), 110° (V) Pixel Pitch : 0.3075 x 0.3075 mm Contrast Ratio : 600 : 1

	Response Time : 35 ms LED backlight lifecycle : 50,000hrs
Signal Input	VGA + HDMI + Audio + USB
OSD	Auto; Menu; Left; Right; Exit/Select; Power On/Off
Touch Screen	Internal USB interface controller - Projected Capacitive Multi Touch (10 points) Light transmission: 85% or more Surface hardness : 6H Operation system : DOS; Windows XP / 7 / 8.1 / 10; Linux
Power Supply	Input: 100~240VAC,50/60Hz Output: DC12V@ 5A /60W, external AC power adapter
Wide-range DC input (Optional)	Support 9-36VDC input
Construction	Aluminum magnesium alloy front panel with heavy-duty steel chassis
Environment	Operating temperature: -0 °C to 60 °C Storage temperature: -20 °C to 70 °C Storage humidity: 10% to 95%, non-condensing Vibration: 50 to 500HZ 1G PTP Shock: 10G /peak(11m sec)
Safety	CE/FCC/Rohs
Dimension W x H x D (mm)	320 x 258.5 x 45 mm

Ordering Information

FPM-12-PCT	12.1" Slim Line - Industrial Panel Monitor, with PCT Touch
Optional: DC	Support 9-36VDC Input
Optional: High Brightness	Upgrade to 1,000nit LED Panel

Structure Diagram (Panel cut-off dimension: 298 x 237 mm) Unit: mm



CUT OUT DIMENSION (298x236.5mm) UNIT:mm