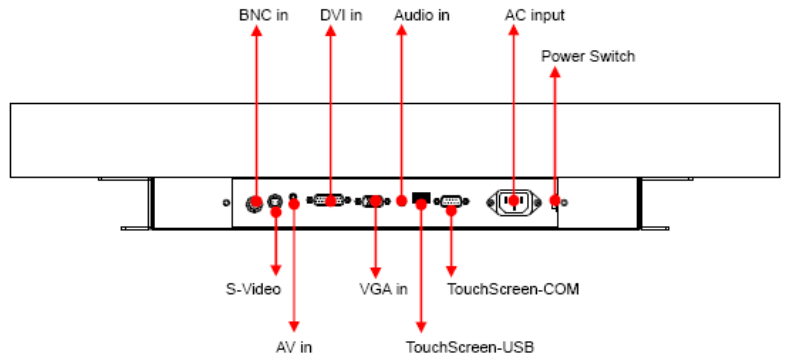


Model: ICM-26W
26" Industrial Chassis Monitor (Wide Screen)



Main Feature

- 26" WXGA TFT LCD Panel support 1366 × 768 pixels
- Heavy duty steel chassis with strengthen glass
- Rugged construction design
- Input signal : VGA + DVI + Audio
- Build in 2 x 8 Watts stereo speaker
- OSD control keys to optimize the display
- AC 100-240V wide range external AC adapter
- Meet standard VESA hole (75x75 and 100x100 mm)

| Specification | |
|----------------------------------|---|
| Product Model | ICM-26W |
| LCD Panel | Display Type : 26" WXGA TFT LCD Resolution : 1366 x 768 Max. color : 16.2M Luminance : 500 cd/m2 View Angel : 160°(H), 150°(V) Pixel Pitch : 0.1405 x 0.4215 mm Contrast Ratio : 800 : 1 Response Time : 8 ms Power Consumption : 66 Watt LCD MTBF : 60,000hrs |
| Signal Input | VGA (15 pin D-sub connector) + DVI (DVI-D) + audio input (audio jack) |
| Protect Glass | 3 mm strengthen glass |
| Speaker | Built-in 2x stereo speakers(8 watt) |
| OSD | Brightness, Contrast, H/V Position, Color, Phase, Clock, PIP, Auto tune and recall |
| Signal Connectivity (optional) | AV input (S-Video, RCA, BNC) |
| Power Supply | Input: 100~240VAC,50/60Hz, with 180 Watt internal power board |
| Construction | Heavy duty steel chassis |

| | |
|----------------------------|--|
| Environment | Operating temperature: 0 °C to 50 °C Storage temperature: -20 °C to 60 °C Storage humidity: 10% to 95%, non-condensing Vibration: 17 to 500HZ 1G PTP Shock: 1G /peak(11m sec) |
| Safety | CE/FCC/Rohs |
| Dimension W x H x D (mm) | Dimensions: 660.4x408.94x108 mm |
| Weight | NET weight: KG; Gross weight: KG |

Ordering Information

| | |
|--------------|--|
| ICM-26W | 26" Industrial Chassis Monitor (Wide Screen) |
| Optional: DC | Support DC input (7-28VDC) |
| Optional: AV | Support AV Input (S-Video, RCA) |

Structure Diagram

Unit: mm

