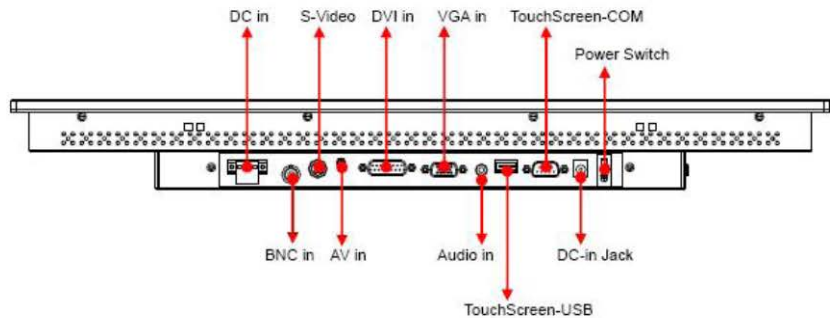


**Model: IDPMB-24W**  
**24" Industrial Panel Monitor (Wide Screen)**



**Main Feature**

- 24" Full HD LED Panel support 1920 × 1080 pixels
- 6mm Aluminum front bezel with strengthen glass
- Rugged construction design
- Input signal : VGA + DVI + Audio
- Build in 2 x 8 Watts stereo speaker
- OSD control keys to optimize the display
- IP65 compliant front panel
- AC 100-240V wide range external AC adapter
- Panel mounting with clip, and wall mount bracket included
- Meet standard VESA hole (100 x 100 mm )

Specification	
Product Model	IDPMB-24W
LCD Panel	Display Type : 23.6" Full HD LED Panel Resolution : 1920 x 1080 Max. color : 16.7M Luminance : 300 cd/m2 View Angel : 178°(H), 178°(V) Pixel Pitch : 0.270 x 0.270 mm Contrast Ratio : 3000 : 1 Response Time : 25 ms Power Consumption : 45 Watt LCD MTBF : 50,000hrs
Signal Input	VGA ( 15 pin D-sub connector ) + DVI (DVI-D) + audio input ( audio jack )
Protect Glass	3 mm strengthen glass
Speaker	Built-in 2x stereo speakers(8 watt)
OSD	Brightness, Contrast, H/V Position, Color, Phase, Clock, PIP, Auto tune and recall
Signal Connectivity ( optional )	AV input (S-Video, RCA, BNC)
DC Power Input ( optional )	Wide range DC 7V-28V input
Power Supply	Input: 100~240VAC,50/60Hz Output: DC12V@ 5A /60W ,external ac adapter

Construction	Heavy duty steel and aluminum front panel
Environment	Operating temperature: 0 °C to 50 °C Storage temperature: -20 °C to 60 °C Storage humidity: 10% to 95%, non-condensing Vibration: 17 to 500HZ 1G PTP Shock: 1G /peak( 11m sec)
Safety	CE/FCC/Rohs
Dimension W x H x D ( mm )	Dimensions: 605 x 380 x 47 mm

### Ordering Information

IDPMB-24W	24" Industrial Panel Monitor (Wide Screen)
Optional: AV	Support AV Input (S-Video, RCA, BNC)

### Structure Diagram Unit: mm

