

Model: MIPM-19
19" Marine Industrial Panel Monitor (VGA +DVI + S-Video + AV input)

Main Feature

- Dimming knob control backlight brightness from nearly 0% to 100%
- Front IP65 aluminum bezel with powder coating
- Wide range DC8-30V power input with Lockable connector (AC Power in option)
- Front hardness AR glass protection (touch option)
- Build in 2 x 2 watts stereo speaker
- IP65 Front OSD Design , Ease for use front OSD control
- Enhanced anti-shock and vibration resistance design
- Meet standard VESA hole (75 x 75mm and 100 x 100mm)
- Panel (Flush) mount ,VESA and bracket mount



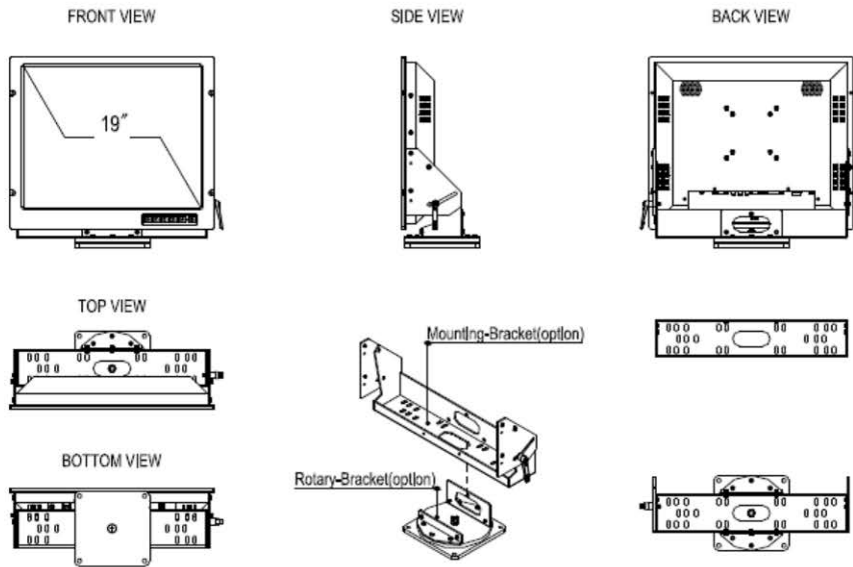
Specification	
Product Model	MIPM-19
LCD Panel	Display Type : 19" SXGA TFT LCD Screen resolution (Pixels) : 1280 × 1024 Brightness : 300 cd/m ² Contrast Ratio : 1000 : 1 Pixel Size : 0.294*0.294 Max Color : 16.7MB (8 bits / colors) Viewing angle(L/R,T/D) : 89/89, 89/89 Power Consumption : 24W Response Time : 5 ms LCD MTBF : 50,000hrs
Mechanical and Environmental	Power Control : Front Power On/Off via Front Button OSD control : Front on screen display control Mounting : Panel (Flush) mount ,VESA and bracket mount Dimensions (WxHxD) : (, &"l " -- "&l '), 'a a Weight : Net 9kg Operating Temperature : 0 °C to 50 °C Storage temperature : -20 °C to 60 °C Storage humidity : 10% to 90%non-condensing Anti-Vibration : 5Hz-500 HZ / 1G PTP Anti-Shock : 15G / Peak(11m sec)
Available Options	AC Power input : 100 to 240 V AC Bracket mount : Stand and roof mount / Rotary bracket / Sun Visor bracket
Input Signals	RGB Signal : D-SUB 15P connector(female) Composite Audio/Video : RCA plug S-Video Signal : S-Video (SVHS) plug DVI-D Signal : DVI-D input 24pin connector DC Power Signal : 5.8mm DC Jack with Lockable AC Power Signal (Option) : Standard IEC Inlet
Power Specifications	DC Input : 8-30V DC to DC power input with Lockable connector

Certification and Approvals	CE/FCC/Rohs Certification: IEC60945
-----------------------------	--

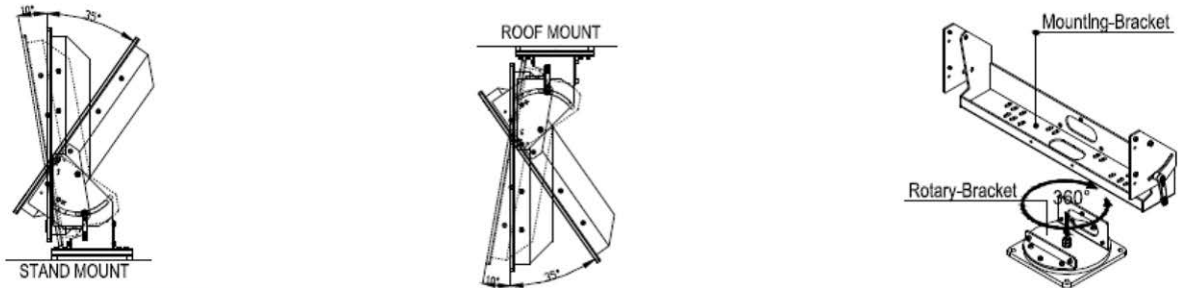
Ordering Information

MIPM-19	19" Marine Industrial Panel Monitor (VGA +DVI + S-Video + AV input)
Optional: SR-BKT	Mounting bracket for stand and roof mount
Optional: RT-BKT	Rotary bracket
Optional: SV-BKT	Sun Visor bracket

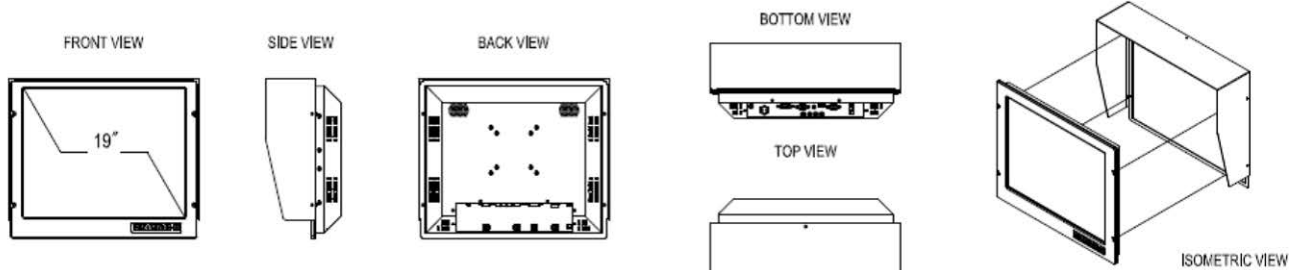
Mechanical Drawing with Robust Bracket (options)



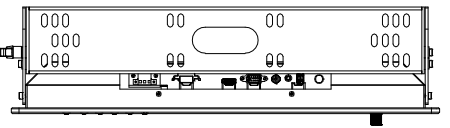
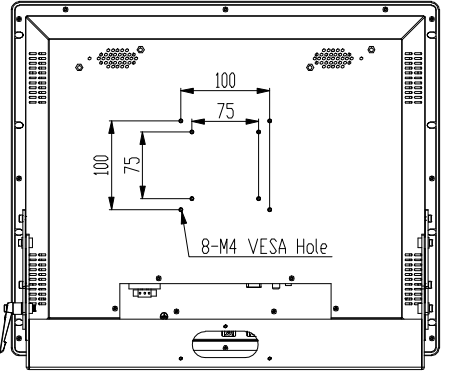
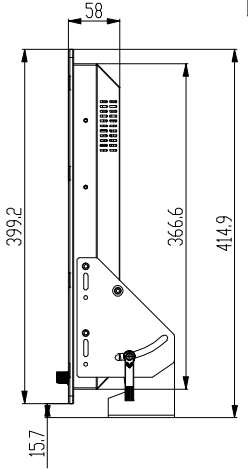
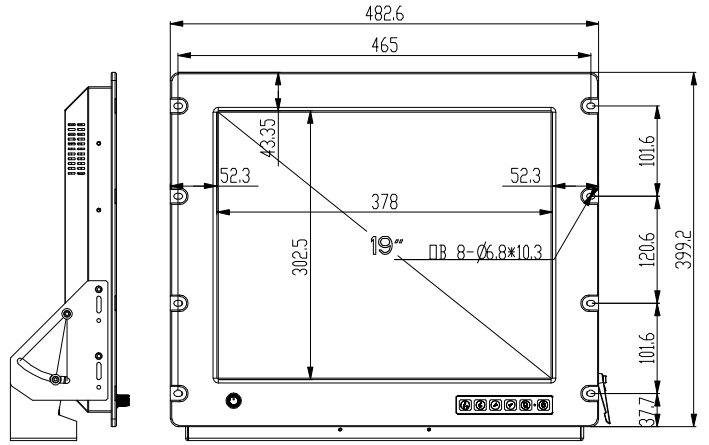
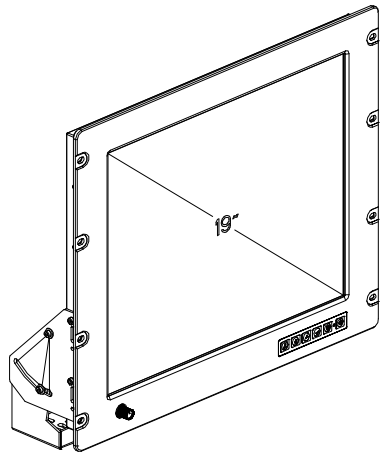
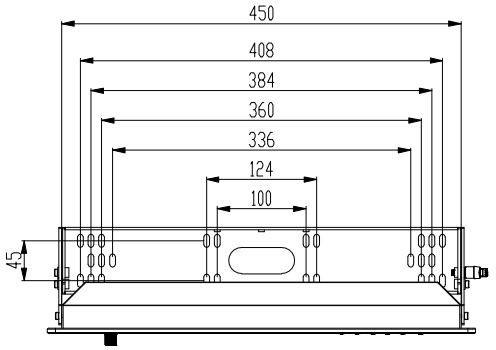
Stand/Roof Mount + Robust Bracket



Sun Visor Bracket



6	MARK	DATE	7	UPDATE	DESCRIPTION	8	SIGN	APPROVER
	△							



CUT OUT DIMENSION (452x368.6mm) UNIT:mm

* Note: this is a simplified drawing and some components are not marked in detail. Please contact our sales representative if you need further product information.

Ver.	A0	FINISHING							
Q'ty	1	MATERIAL							
SELECT V	V								
DIM	TOL	A	B	C	D	EXTRA	3RD ANGLE'S		
-8	±0.03	±0.05	±0.10	±0.20			APPROVED	TITLE	
8-25	±0.05	±0.08	±0.20	±0.30			CHECKED	MIPM-19HBT-DC-ASSY	
25-80	±0.08	±0.12	±0.30	±0.40			DESIGNED	DRAWIN NO. MIPM-19HBT-DC-3D3V.DWG	
80-250	±0.12	±0.20	±0.40	±0.50			DATE	MODEL NO. MIPM-19HBT-DC	
250-	±0.20	±0.30	±0.50	±0.60			23-May-19	SCALE 0.2 UNIT: MM	
ANGLE TOL	±0.2°	±0.3°	±0.4°	±0.5°			PART NO.	SIZE A3 SHEET: 1 OF 1	