

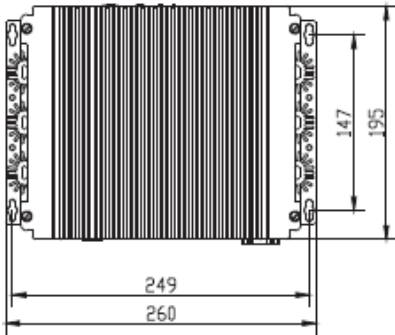
Model: MPCX-D525-6COM
Intel Atom D525 - Industrial Embedded Fanless PC, with 6 x COM



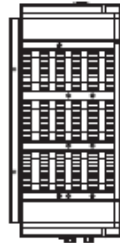
Specification	
Item	Description
CPU	Intel Atom D525 (1.8GHz, Dual Core, 1MB Cache)
Chipset	Intel NM10
Memory	1 x DDRIII SO-DIMM Socket up to 4GB
Storage	Space for 1x 2.5" HDD, 2 x SATA II
Audio	Realtek ALC662, 6 channel surround audio
LAN	1 x RJ45, 10/100Mbps
USB port	6 x USB 2.0
VGA	Intel GMA 3150 Graphic Engine
Expansive interface	1 x Mini PCI-E (support SSD & 3G card)
I/O port	1 x PS/2 KB Mouse; 1 x RJ45; 6 x USB 2.0; 1 x VGA ; 1 x Lin-in/ Lin-out; 1 x LPT 6 x RS232; 1 x Power Switch; 1 x Reset Switch; 1 x DC input
SIM card Slot	Onboard (use for 3G MINI PCI-E card)
Power Supply	Input: 100~240VAC, 50/60Hz; Output: DC 12V/ 5A adapter
Construction	Heavy duty steel and aluminum (Fanless Design)
Environment	Operating temperature: 0 °C to 60 °C Storage temperature: -20 °C to 80 °C Storage humidity: 10% to 90%non-condensing Vibration: 17 to 500HZ 1G PTP; Shock: 1G /peak(11m sec)
Safety	CE/FCC/ROHS
Dimension W x H x D (mm)	260 x 195 x 84.3

Structure Diagram

TOP VIEW



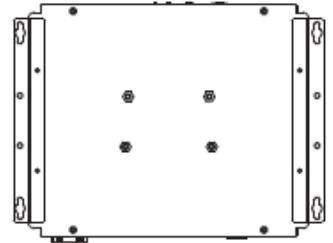
LEFT VIEW



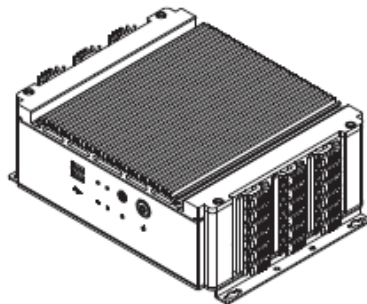
RIGHT VIEW



BOTTOM VIEW



ISOMETRIC VIEW



FRONT VIEW

