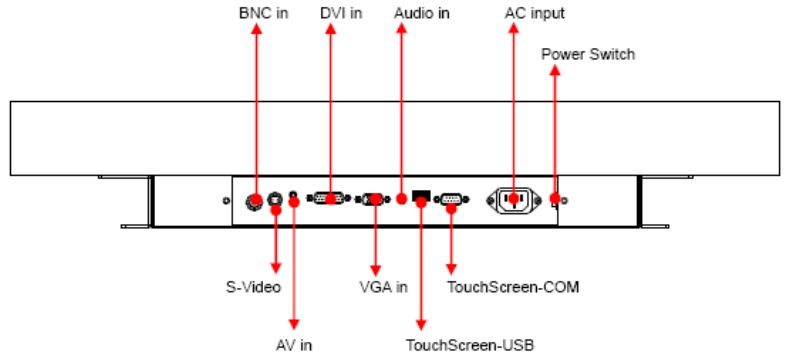


Model: ICM-26WT
26" Industrial Chassis Monitor (Wide Screen), with Touch Screen



Main Feature

- 26" WXGA TFT LCD Panel support 1366 × 768 pixels
- Heavy duty steel chassis with strengthen glass
- Rugged construction design
- Input signal : VGA + DVI + Audio
- Build in 2 x 8 Watts stereo speaker
- OSD control keys to optimize the display
- AC 100-240V wide range external AC adapter
- Meet standard VESA hole (75x75 and 100x100 mm)

Specification	
Product Model	ICM-26WT
LCD Panel	Display Type : 26" WXGA TFT LCD Resolution : 1366 x 768 Max. color : 16.2M Luminance : 500 cd/m2 View Angel : 160°(H), 150°(V) Pixel Pitch : 0.1405 x 0.4215 mm Contrast Ratio : 800 : 1 Response Time : 8 ms Power Consumption : 66 Watt LCD MTBF : 60,000hrs
Signal Input	VGA (15 pin D-sub connector) + DVI (DVI-D) + audio input (audio jack)
Protect Glass	3 mm strengthen glass
Speaker	Built-in 2x stereo speakers(8 watt)
OSD	Brightness, Contrast, H/V Position, Color, Phase, Clock, PIP, Auto tune and recall
Touch Screen	Internal USB or RS-232 interface controller Type: Analog resistive type : 25VDC ≥ 20MΩ Resolution: continuous Light transmission: 80% or more

	Power consumption: <5V @1mA Surface hardness : 3H Operating force : ≤100g Life expectancy : 35 Million Operation system : Window 2000 / XP / Vista / 7 / CE, DOS , Linux
Signal Connectivity (optional)	AV input (S-Video, RCA, BNC)
Power Supply	Input: 100~240VAC, 50/60Hz, with 180 Watt internal power board
Construction	Heavy duty steel chassis
Environment	Operating temperature: 0 °C to 50 °C Storage temperature: -20 °C to 60 °C Storage humidity: 10% to 95%, non-condensing Vibration: 17 to 500HZ 1G PTP Shock: 1G /peak(11m sec)
Safety	CE/FCC/Rohs
Dimension W x H x D (mm)	Dimensions: 660.4x408.94x108 mm
Weight	NET weight: KG; Gross weight: KG

Ordering Information

ICM-26WT	26" Industrial Chassis Monitor (Wide Screen), with Touch Screen
Optional: DC	Support DC input (7-28VDC)
Optional: AV	Support AV Input (S-Video, RCA)

Structure Diagram

Unit: mm

