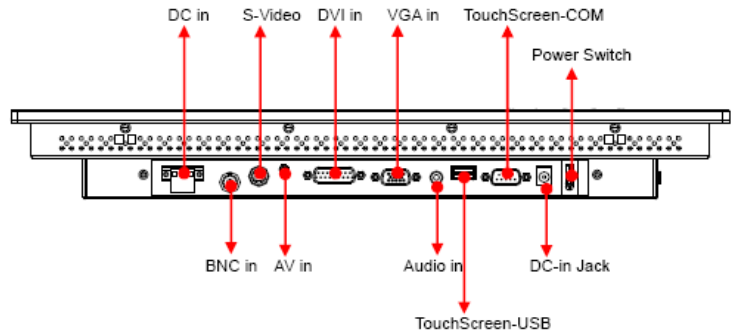
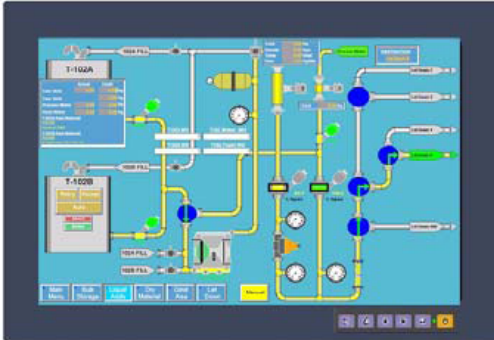


**Model: IDPMB-17W**  
**17.3" Industrial Panel Monitor (Wide Screen)**



**Main Feature**

- 17.3" Full HD LED Panel support 1920 × 1080 pixels
- 6mm Aluminum front bezel with strengthen glass
- Rugged construction design
- Input signal : VGA + DVI + Audio
- Build in 2 x 2 Watts stereo speaker
- OSD control keys to optimize the display
- NEMA4 / IP 65 compliant front panel
- AC 100-240V wide range external AC adapter
- Panel mounting with clip
- Meet standard VESA hole ( 75x75 and 100x100 mm ), support desktop stand/wall mount /swing arm mounting

Specification	
Product Model	IDPMB-17W
LCD Panel	Display Type : 17.3" Full HD LED Panel Resolution : 1920 x 1080 Luminance : 300 cd/m2 View Angel : 130°(H), 120°(V) Pixel Pitch : 0.1989 x 0.989 mm Contrast Ratio : 500 : 1 Response Time : 2 ms Power Consumption : 12W LCD MTBF : 50,000hrs
Signal Input	VGA ( 15 pin D-sub connector ) + DVI (DVI-D) + audio input ( audio jack )
Protect Glass	3 mm strengthen glass
Speaker	Built-in 2x stereo speakers(2watt)
OSD	Brightness, Contrast, H/V Position, Color, Phase, Clock, auto tune and recall
Signal Connectivity ( optional )	AV input (S-Video, RCA, BNC)
DC Power Input ( optional )	Wide range DC 7V-28V input
Power Supply	Input: 100~240VAC,50/60Hz

	Output: DC12V@ 4A /48W ,external ac adapter
Construction	Heavy duty steel and aluminum front panel
Environment	Operating temperature: 0 °C to 50 °C Storage temperature: -20 °C to 60 °C Storage humidity: 10% to 95%, non-condensing Vibration: 17 to 500HZ 1G PTP Shock: 1G /peak( 11m sec)
Safety	CE/FCC/Rohs
Dimension W x H x D ( mm )	Dimensions: 440x302.5x54.3 mm
Weight	NET weight: 7.5 KG; Gross weight: 9.5KG

## Ordering Information

IDPMB-17W	17.3" Industrial Panel Monitor (Wide Screen)
Optional: DC	Support DC input (7-28VDC)
Optional: AV	Support AV Input (S-Video, RCA, BNC)

## Structure Diagram Unit: mm

