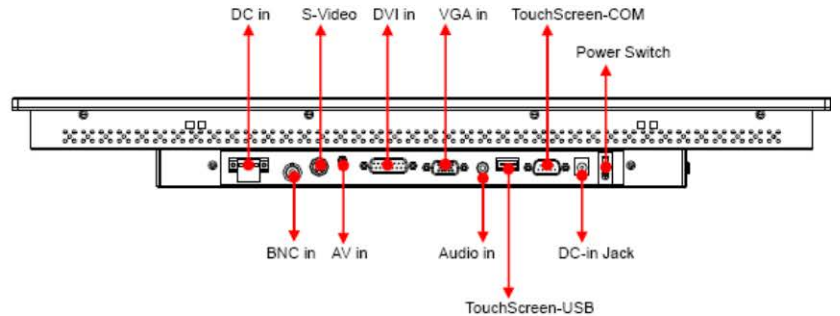


**Model: IDPMB-22WT**  
**22" Industrial Panel Monitor (Wide Screen), with Touch Screen**



**Main Feature**

- 22" WSXGA TFT LCD Panel support 1680 × 1050 pixels
- 6mm Aluminum front bezel with strengthen glass
- Rugged construction design
- Input signal : VGA + DVI + Audio
- Build in 2 x 2 Watts stereo speaker
- OSD control keys to optimize the display
- IP65 compliant front panel
- AC 100-240V wide range external AC adapter
- Panel mounting with clip
- Meet standard VESA hole (100x100 mm ), support desktop stand/wall mount /swing arm mounting

| Specification |   |
|---------------|---|
| Product Model | IDPMB-22WT  |
| LCD Panel     | Display Type : 22" WSXGA TFT LCD<br>Resolution : 1680 x 1050<br>Max. color : 16.7M<br>Luminance : 300 cd/m2<br>View Angel : 170° (H), 160° (V)<br>Pixel Pitch : 0.282 x 0.282 mm<br>Contrast Ratio : 700 : 1<br>Response Time : 5 ms<br>Power Consumption : 23W<br>LCD MTBF : 50,000hrs |
| Signal Input  | VGA ( 15 pin D-sub connector ) + DVI (DVI-D) + audio input ( audio jack )   |
| Protect Glass | 3 mm strengthen glass   |
| Speaker       | Built-in 2x stereo speakers(2watt)  |
| OSD           | Brightness, Contrast, H/V Position, Color, Phase, Clock, auto tune and recall   |
| Touch Screen  | Internal USB or RS-232 interface controller<br>Type: Analog resistive type : 25VDC ≥ 20MΩ<br>Resolution: continuous   |

|                                  |   |
|----------------------------------|---|
|                                  | Light transmission: 80% or more<br>Power consumption: <5V @1mA<br>Surface hardness : 3H<br>Operating force : ≤100g<br>Life expectancy : 35 Million<br>Operation system : Window 2000 / XP / Vista / 7 / CE, DOS , Linux |
| Signal Connectivity ( optional ) | AV input (S-Video, RCA, BNC)  |
| DC Power Input ( optional )      | Wide range DC 7V-28V input  |
| Power Supply                     | Input: 100-240VAC,50/60Hz<br>Output: DC12V@ 5A /60W ,external ac adapter  |
| Construction                     | Heavy duty steel and aluminum front panel   |
| Environment                      | Operating temperature: 0 °C to 50 °C<br>Storage temperature: -20 °C to 60 °C<br>Storage humidity: 10% to 95%, non-condensing<br>Vibration: 17 to 500HZ 1G PTP<br>Shock: 1G /peak( 11m sec)                              |
| Safety                           | CE/FCC/Rohs   |
| Dimension W x H x D ( mm )       | Dimensions: 545x375x45 mm   |

### Ordering Information

|              |   |
|--------------|---|
| IDPMB-22WT   | 22" Industrial Panel Monitor (Wide Screen), with Touch Screen |
| Optional: DC | Support DC input (7-28VDC)                                    |
| Optional: AV | Support AV Input (S-Video, RCA, BNC)                          |

### Structure Diagram Unit: mm

