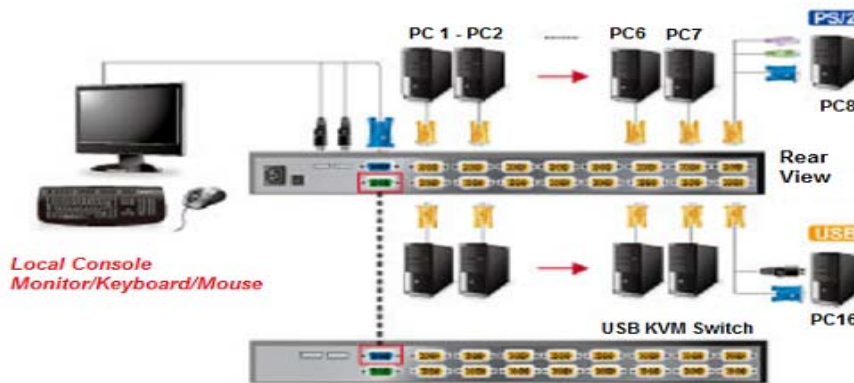
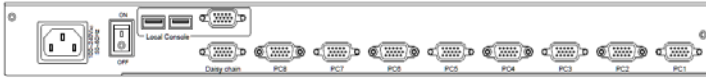


Model: KVM-1708COMBO-L
1U Rackmount 17" LCD, with
8 port KVM switch & local console

KVM-1716COMBO-L
1U Rackmount 17" LCD, with
16 port KVM switch & local console



Main Feature

- One console controls up to 8 / 16 directly connected computers
- Dedicated daisy chain port to expand up to 240 servers
- One additional one USB Local console to add local KB/Mouse & VGA.
- Support multiple form - PS/2 and USB computers (SUN and MAC)
- Support DOS, Windows, Netware, Unix, Linux, Mac OS
- Hot Pluggable - Add or remove connected PCs without having to power down the KVM switch or computers
- No software required - easy PC selection via Push Buttons, Hot Keys or OSD (on screen display)
- Auto Scan Mode for monitoring PCs
- Firmware upgradeable for staying compatible with new coming computers
- Durable 104-key keyboard and touch pad
- Self-locking and auto release rails for ultra-convenience.

| Specification | | | |
|--|-----------------------|--|---------------------------|
| Product Model | | KVM-1708COMBO-L (8 port) | KVM-1716COMBO-L (16 port) |
| LCD | Size | 17" TFT | |
| | Resolution | 1280 X 1024 | |
| | Max. color | 16.7M | |
| | Luminance | 250 nit (LED Backlight) | |
| | View Angel | 176° (H) , 170° (V) | |
| | Contrast Ratio | 1000 : 1 | |
| Computer Connections | Direct | 8 | 16 |
| | Maximum | 232 | 240 |
| Computer Port Selection | | OSD, Hot Key, Push Button | |
| Connector | Power | AC Inlet | |
| | Computer | HDB 15 Female | |
| | Daisy Chain | HDB 15 Female | |
| | Local Console | 2 x USB for Keyboard & Mouse, 1 x VGA for Monitor | |
| CAT5-Based Remote Transmit / Receive Module (Optional: KV-300) | | KVM Extender transmits KVM up to 300m away from a computer using Cat5/5e/6 cable | |
| LEDs | Port | 8 | 16 |
| | Power | 1 | |
| Button / Switch | Power Switch | Rock Switch | |
| | LCD Adjustment | Button | |
| Hotkey | | Provide various Hotkey (Scroll-Lock/ Cap-Lock/ Num-Lock/ Alt/ Ctrl) | |
| Auto-Scan Intervals | | 5 - 99 Seconds | |
| Video Resolution (Local Console) | | 1280 x 1024 | |
| Power Input Rating | | 100-240VAC ; 50/60Hz ; 1A | |
| Power Consumption | | 35W | |
| Environment | Operating Temperature | 0 - 50° C | |
| | Store Temperature | -20 - 60° C | |
| | Humidity | 0-80% RH , NC | |
| Housing | | Heavy Duty Steel | |
| Size | | 19" Rack mount, 1U | |
| Net Weight | | 16.1KG (1port), 16.3KG (8port), 16.7KG (16port) | |
| Gross Weight | | 20.9KG (1port), 21.1KG (8port), 21.5KG (16port) | |
| Dimensions (W*D*H) | | 448 x 580 x 42 mm | |
| Packing Dimensions (W*D*H) | | 710 x 780 x 170 mm | |
| Order Information | | | |
| KVM-1708COMBO-L | | 1U Rackmount 17" LCD, with 8 port KVM switch & local console | |
| KVM-1716COMBO-L | | 1U Rackmount 17" LCD, with 16 port KVM switch & local console | |
| KCVU-018 | | USB, 2 in 1 KVM Cable , 1.8 meter length | |
| KCVU-030 | | USB, 2 in 1 KVM Cable , 3 meter length | |
| KCVU-050 | | USB, 2 in 1 KVM Cable , 5 meter length | |
| KCVU-070 | | USB, 2 in 1 KVM Cable , 7 meter length | |
| KCVU-100 | | USB, 2 in 1 KVM Cable , 10 meter length | |
| KV-300 | | KVM Extender transmits KVM up to 300m away from a computer using Cat5/5e/6 cable | |

Structure Diagram Unit :mm

